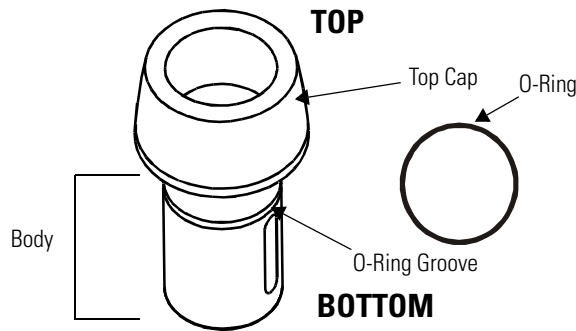




71980/71990 WELL ADAPTER FOR 719 SERIES LITHIUM ION HANDLE

Parts List



INSTALLATION INSTRUCTIONS

See Well Adapter/Well Configuration Chart for well adapter model/charger manufacturer compatibility.

CAUTION: Placing the incorrect model well adapter in a handle receptacle may cause damage to the adapter.

Well Adapter/Well Configuration Chart

Manufacturer	Well Adapter Part Number	
	71980	71990
COW ¹ Refraction Desk II/CBWC 16-002,3-Well Charger/ CHC 01-000, Exam Support Cntrlr II/ESC 15-000	X	
MARCO ¹ Deluxe, Encore Debut	X	X + o-ring
RELIANCE ¹ 905, 7720, 7800, 7700, 7750, 500/ENT Cabinet, HV, Eclipse	X	
R.H. Burton ¹ 2001 ² , 2201 ² , 3001 ² , 3200, 3201, 3202, 3203, 4303		X
TOPCON ¹ IS-2000 CS-4, ORL-2000/3000/4000, Omni	X + o-ring	X + o-ring
WELCH ALLYN 7111X Desk Charger	X	

¹ - Compatible with 120V version stands with 3.5v handle charging receptacles

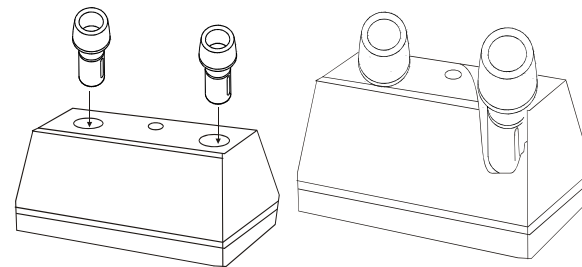
² - Remove well insulator cup on charging stand prior to inserting well adapter into handle receptacle.

Installing the Well Adapter into the Welch Allyn 7111x Desk Charger

NOTE: The well adapter is **NOT** required for Welch Allyn Universal Charger, model no. 7114x (black color).

1. Insert the Well Adapter(s) into the handle receptacle(s) of the desk charger. Insert the adapter until it is fully seated (figure 1).
2. The 7111x desk charger is now ready to accept the 719 series lithium ion handle.

Figure 1



Installing Well Adapter into Ophthalmic Stand/Charging Well

Installing O-ring onto Well Adapter

1. If required, place o-ring provided around the bottom of the Well Adapter.
2. Slide o-ring up the Well Adapter body into the pre-cut groove in the middle of the adapter. The Well Adapter should now fit snugly into the handle charging receptacle.

Installing Well Adapter into Handle Receptacle

1. Remove Top Cap
2. Insert the Well Adapter(s) into the handle receptacle(s) of the charger device. Be sure to insert the adapter until it is fully seated.
3. Replace top cap on top of the well adapter, if desired.
4. The charging well is now ready to accept the 719 series Lithium Ion handle.

NOTE: The black top cap portion of the Well Adapter is designed to slide to fit the depth of the handle receptacle.

NOTE: If it appears that the handle is not taking a charge, remove well adapter, turn approximately 90° (quarter turn) and re-insert into the charging device receptacle.

IMPORTANT: Remove handle prior to removing adapter from charging receptacle as damage to the adapter may occur.

CLEANING

The cleaning of all Welch Allyn power handles and chargers is easily accomplished by wiping the external surface with a cloth dampened with a mild detergent and water solution, 70% isopropyl alcohol, or a 10% bleach solution (by volume). Do not immerse.

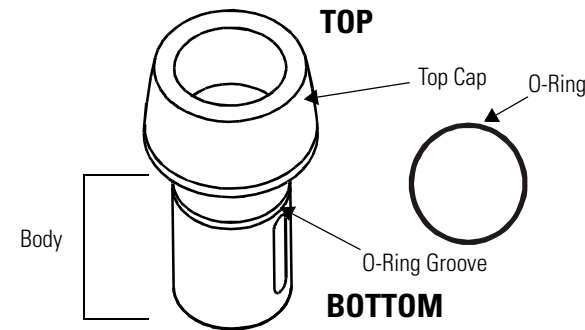
NOTE: Excess solution entering the assembly could damage internal components. Use caution to ensure cloth is not saturated with solution.

Do not sterilize the 719 Series Power Handle or Well Adapter.



71980/71990 WELL ADAPTER FOR 719 SERIES LITHIUM ION HANDLE

Parts List



INSTALLATION INSTRUCTIONS

See Well Adapter/Well Configuration Chart for well adapter model/charger manufacturer compatibility.

CAUTION: Placing the incorrect model well adapter in a handle receptacle may cause damage to the adapter.

Well Adapter/Well Configuration Chart

Manufacturer	Well Adapter Part Number	
	71980	71990
COW ¹ Refraction Desk II/CBWC 16-002,3-Well Charger/ CHC 01-000, Exam Support Cntrlr II/ESC 15-000	X	
MARCO ¹ Deluxe, Encore Debut	X	X + o-ring
RELIANCE ¹ 905, 7720, 7800, 7700, 7750, 500/ENT Cabinet, HV, Eclipse	X	
R.H. Burton ¹ 2001 ² , 2201 ² , 3001 ² , 3200, 3201, 3202, 3203, 4303		X
TOPCON ¹ IS-2000 CS-4, ORL-2000/3000/4000, Omni	X + o-ring	X + o-ring
WELCH ALLYN 7111X Desk Charger	X	

¹ - Compatible with 120V version stands with 3.5v handle charging receptacles

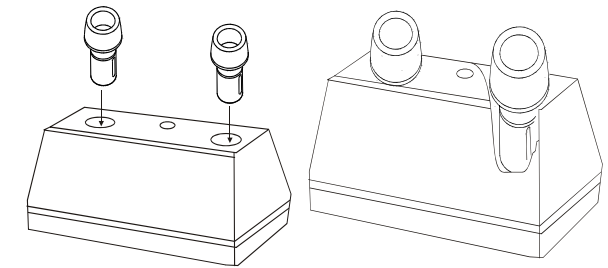
² - Remove well insulator cup on charging stand prior to inserting well adapter into handle receptacle.

Installing the Well Adapter into the Welch Allyn 7111x Desk Charger

NOTE: The well adapter is **NOT** required for Welch Allyn Universal Charger, model no. 7114x (black color).

1. Insert the Well Adapter(s) into the handle receptacle(s) of the desk charger. Insert the adapter until it is fully seated (figure 1).
2. The 7111x desk charger is now ready to accept the 719 series lithium ion handle.

Figure 1



Installing Well Adapter into Ophthalmic Stand/Charging Well

Installing O-ring onto Well Adapter

1. If required, place o-ring provided around the bottom of the Well Adapter.
2. Slide o-ring up the Well Adapter body into the pre-cut groove in the middle of the adapter. The Well Adapter should now fit snugly into the handle charging receptacle.

Installing Well Adapter into Handle Receptacle

1. Remove Top Cap
2. Insert the Well Adapter(s) into the handle receptacle(s) of the charger device. Be sure to insert the adapter until it is fully seated.
3. Replace top cap on top of the well adapter, if desired.
4. The charging well is now ready to accept the 719 series Lithium Ion handle.

NOTE: The black top cap portion of the Well Adapter is designed to slide to fit the depth of the handle receptacle.

NOTE: If it appears that the handle is not taking a charge, remove well adapter, turn approximately 90° (quarter turn) and re-insert into the charging device receptacle.

IMPORTANT: Remove handle prior to removing adapter from charging receptacle as damage to the adapter may occur.

CLEANING

The cleaning of all Welch Allyn power handles and chargers is easily accomplished by wiping the external surface with a cloth dampened with a mild detergent and water solution, 70% isopropyl alcohol, or a 10% bleach solution (by volume). Do not immerse.

NOTE: Excess solution entering the assembly could damage internal components. Use caution to ensure cloth is not saturated with solution.

Do not sterilize the 719 Series Power Handle or Well Adapter.

SPECIFICATIONS

(Specifications and design may change without notice)

Well Adapter

Model Number: 71980, 71990

Approvals: Complies with: IEC 60601-1, CAN/CSA C22.2 No 125, and UL 544

When used with 71920 Well Adapter and 711 series Desk Charger

Environment (All System Components)

Transport/Storage: -20°C ~ 49°C, 95% R.H. Max, 500hPa - 1060hPa, Altitude

Operating: 10°C ~ 40°C, 95% R.H. Max, 500hPa - 1060hPa, Altitude

SERVICE AND WARRANTY

Warranty

The 71980/71990 Well Adapter is guaranteed by Welch Allyn against all manufacturing defects. Welch Allyn will repair or replace, free of charge, any parts of its own manufacture proven to be defective through causes other than misuse, neglect, damage in shipment, or normal wear.

Service Information

Other than battery replacement, this equipment contains no user serviceable parts. Return to a Welch Allyn authorized service center for service.

For Technical Support or to obtain return instructions, please contact your nearest Welch Allyn service center listed.

Welch Allyn, Inc.
4341 State Street Road
Skaneateles Falls, NY 13153-0220
Telephone: 800-535-6663
Fax: 315-685-4653

Welch Allyn, Ltd - Canada
160 Matheson Blvd. E., Unit #2
Mississauga, Canada L4Z 1V4
Telephone: 905-890-0004
Fax: 905-890-0008

Product Service Centre
Welch Allyn Protocol
St. Georges House
Vernon Gates
Derby, UK DE1 1UQ
Tel: 011-01332-206208
Fax: 011-01332-206209

Welch Allyn, GmbH PSC
Zollerstrasse 2-4
D72417 Juningen, Germany
Telephone: 011-49-7477-927173
Fax: 011-49-7477-927193

Welch Allyn, LTD - Singapore
6001 Beach Road #21-09
Golden Mile Tower
Singapore 199589
Telephone: 011-65-291-0882
Fax: 011-65-291-5780

Welch Allyn China Service Center
247 Beijing Road West
Shanghai 20003, China
Telephone: 011-86-21-5403-6214
FAX: 011-86-21-5403-0072

Welch Allyn, Ltd. - Australia
Metro Centre Unit 5
38 South Street
Rydalmere NSW 2116, Australia
Telephone: 011-(612) 9638-3000
Fax: 011-(612) 9638-3500

SPECIFICATIONS

(Specifications and design may change without notice)

Well Adapter

Model Number: 71980, 71990

Approvals: Complies with: IEC 60601-1, CAN/CSA C22.2 No 125, and UL 544

When used with 71920 Well Adapter and 711 series Desk Charger

Environment (All System Components)

Transport/Storage: -20°C ~ 49°C, 95% R.H. Max, 500hPa - 1060hPa, Altitude

Operating: 10°C ~ 40°C, 95% R.H. Max, 500hPa - 1060hPa, Altitude

Authorized European Representative:
Regulatory Affairs Representative
Welch Allyn, Limited
Navan Business Park
Dublin Road

Navan, County Meath, Republic of Ireland

SERVICE AND WARRANTY

Warranty

The 71980/71990 Well Adapter is guaranteed by Welch Allyn against all manufacturing defects. Welch Allyn will repair or replace, free of charge, any parts of its own manufacture proven to be defective through causes other than misuse, neglect, damage in shipment, or normal wear.

Service Information

Other than battery replacement, this equipment contains no user serviceable parts. Return to a Welch Allyn authorized service center for service.

For Technical Support or to obtain return instructions, please contact your nearest Welch Allyn service center listed.

Welch Allyn, Inc.
4341 State Street Road
Skaneateles Falls, NY 13153-0220
Telephone: 800-535-6663
Fax: 315-685-4653

Welch Allyn, Ltd - Canada
160 Matheson Blvd. E., Unit #2
Mississauga, Canada L4Z 1V4
Telephone: 905-890-0004
Fax: 905-890-0008

Product Service Centre
Welch Allyn Protocol
St. Georges House
Vernon Gates
Derby, UK DE1 1UQ
Tel: 011-01332-206208
Fax: 011-01332-206209

Welch Allyn, GmbH PSC
Zollerstrasse 2-4
D72417 Juningen, Germany
Telephone: 011-49-7477-927173
Fax: 011-49-7477-927193

Welch Allyn, LTD - Singapore
6001 Beach Road #21-09
Golden Mile Tower
Singapore 199589
Telephone: 011-65-291-0882
Fax: 011-65-291-5780

Welch Allyn China Service Center
247 Beijing Road West
Shanghai 20003, China
Telephone: 011-86-21-5403-6214
FAX: 011-86-21-5403-0072

Welch Allyn, Ltd. - Australia
Metro Centre Unit 5
38 South Street
Rydalmere NSW 2116, Australia
Telephone: 011-(612) 9638-3000
Fax: 011-(612) 9638-3500