

## EXPLORE **WELCH ALLYN GREEN SERIES 777** INTEGRATED WALL SYSTEMS & TRANSFORMERS FEATURING OUR LATEST **WELCH ALLYN** EXAM TOOLS

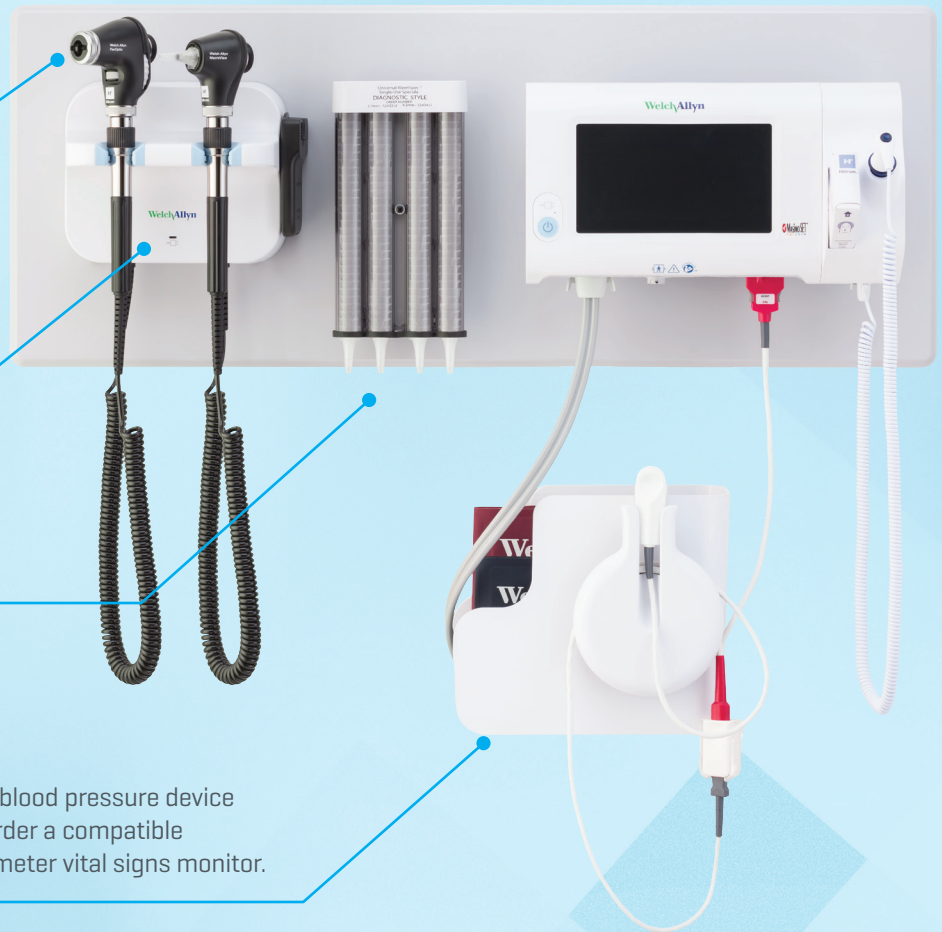
**Welch Allyn Green Series 777** Integrated Wall Systems and Transformers can help you stay efficient during your examinations. Choose our wide-view **PanOptic Plus** Ophthalmoscope and **MacroView Plus** Otoscope, digital or manual blood pressure devices, and integrated or stand-alone oral/axillary/rectal thermometry with a **Welch Allyn SureTemp Plus** Thermometer.

Choose wide-view, digitally capable devices or standard heads.

Turns on automatically when handle is removed from cradle and turns off when handle is returned.

Minimize cross-contamination risk and dispense a new disposable ear tip with each exam.

Choose a stand-alone blood pressure device and thermometer or order a compatible **Welch Allyn** multiparameter vital signs monitor.



- Easy-to-upgrade devices from the **Welch Allyn 767** series to the 777 Integrated Wall System
- Automatic on/off sensors help conserve energy
- Handle-based rheostats for quick light intensity adjustments
- Modular coiled cords designed to withstand daily use

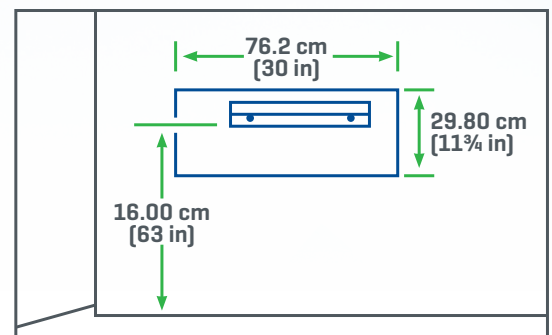
## SPECIFICATIONS

<b>SHIPPING DIMENSIONS &amp; WEIGHT</b>	<b>Width:</b> 87.20 cm [34.33 in]; <b>Height:</b> 32.59 cm [12.83 in]; <b>Depth:</b> 24.08 cm [9.48 in]; <b>Weight:</b> 11 kg [24.25 lbs]
<b>INSTALLED DIMENSIONS</b>	<b>Width:</b> 76.20 cm [30.00 in]; <b>Height:</b> 29.85 cm [11.75 in]
<b>COILED POWER CORD LENGTH (EXTENDED)</b>	3.66 m [12 ft]
<b>OPERATING ENVIRONMENT</b>	<b>Temperature Limitation:</b> 15 °C to 40 °C [59 °F to 104 °F] <b>Humidity Limitation:</b> 15% to 95% <b>Atmospheric Limitation:</b> 700 hPa to 1060 hPa
<b>TRANSPORT &amp; STORAGE</b>	<b>Temperature Limitation:</b> -20 °C to 50 °C [-4 °F to 120 °F] <b>Humidity Limitation:</b> 15% to 95% <b>Atmospheric Limitation:</b> 700 hPa to 1060 hPa
<b>SAFETY CLASS</b>	II Intermittent Operation
<b>ELECTRICAL</b>	<b>Input:</b> 100–240 VAC, 50–60 Hz, 0.18 A <b>Output:</b> 5 VDC, 1 A
<b>MATERIALS</b>	Acrylonitrile butadiene styrene (ABS) and elastomer rubber. Made from non-latex material.
<b>APPROVALS</b>	IEC 60601-1, UL 60601-1, IEC 60601-1-2, CAN/CSA C22.2 No 601.1-M90, AS/NZS 3200

### PARTS & ACCESSORIES

<b>118-3</b>	<b>PanOptic Plus</b> Ophthalmoscope (head only)
<b>238-3</b>	<b>MacroView Plus</b> Otoscope (head only)
<b>21504</b>	Insufflator Bulb for <b>MacroView</b> Otoscope
<b>11840-IEX</b>	<b>iExaminer SmartBracket</b> Accessory for <b>MacroView Plus</b> Otoscope
<b>52432-U</b>	2.75 mm pediatric size Single-Use Ear Specula
<b>52434-U</b>	4.25 mm adult size Single-Use Ear Specula
<b>05031-105</b>	<b>SureTemp Plus</b> Thermometer Disposable Probe Covers (case of 5,000)
<b>104299</b>	Coiled Cord and Handle Assembly [12 ft]
<b>PWCD-GS777-B</b>	<b>Green Series 777</b> Wall System & Transformer Power Cord Kit
<b>772320</b>	<b>Green Series 777</b> Wall System & Transformer USB Power Cord [4.57 mm [18 in]]

### GUIDANCE ON INSTALLATION



Connect with your **Baxter** representative today to discuss the best **Welch Allyn Physical Exam & Diagnostic** solution for your clinical needs.

For the safe and proper use of the device referenced within, refer to warnings, precautions, and the complete instructions for use or the appropriate manual available.